

PuraVida

PuraVida Soap Dispenser

Finishes : **chrome** Part no. : **41503000**



Description

Features

- 4 oz capacity
- Wall-mounted

Item details

List Price \$ 186.00

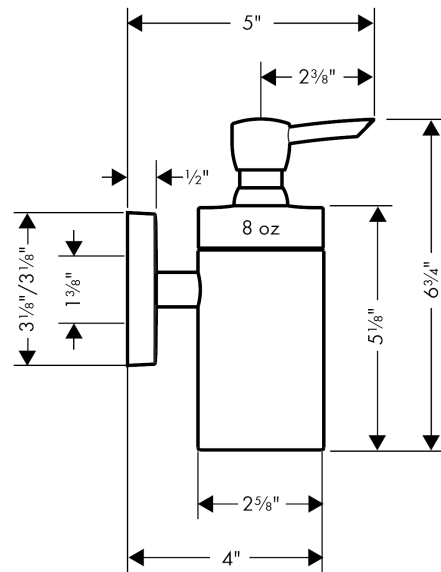
Compliance



Product image



Scale drawing

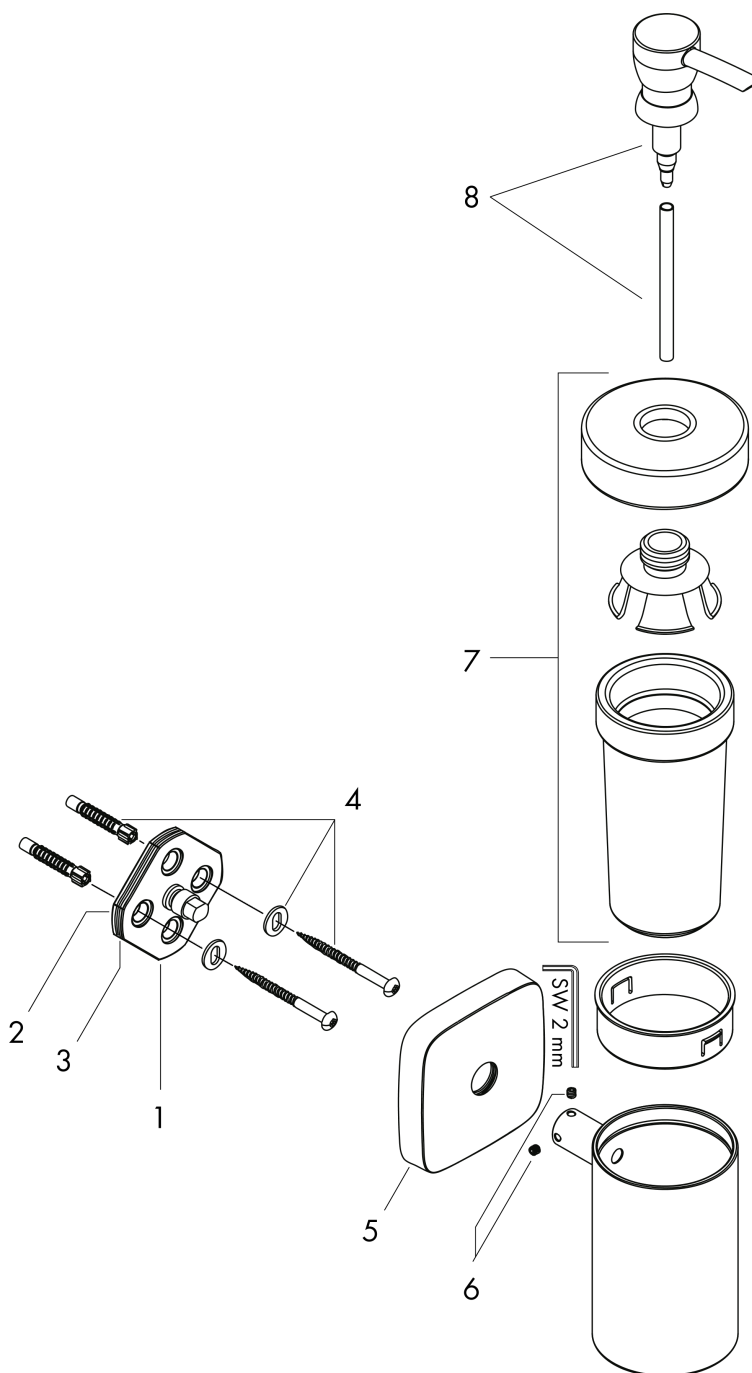


PuraVida
PuraVida Soap Dispenser
Finishes : **chrome** Part no. : **41503000**



Exploded drawing

Year of production: >07/09



PuraVida

PuraVida Soap Dispenser

Finishes : **chrome** Part no. : **41503000**



Spare parts list

Year of production: >07/09

| Pos. | Description | Part no. | Price | PU |
|------|----------------------------|----------|-------|----|
| 1 | support element | 98539000 | - | 1 |
| 2 | O-ring 45x2,5 | 98432000 | - | 1 |
| 3 | O-Ring 50x2,5 | 95512000 | - | 1 |
| 4 | mounting set | 96179000 | - | 1 |
| 5 | escutcheon | 95374000 | - | 1 |
| 6 | hollow set screw M4x4 | 98540000 | - | 1 |
| 7 | glass for lotion dispenser | 98543000 | - | 1 |
| 8 | pump | 96306000 | - | 1 |